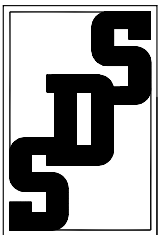
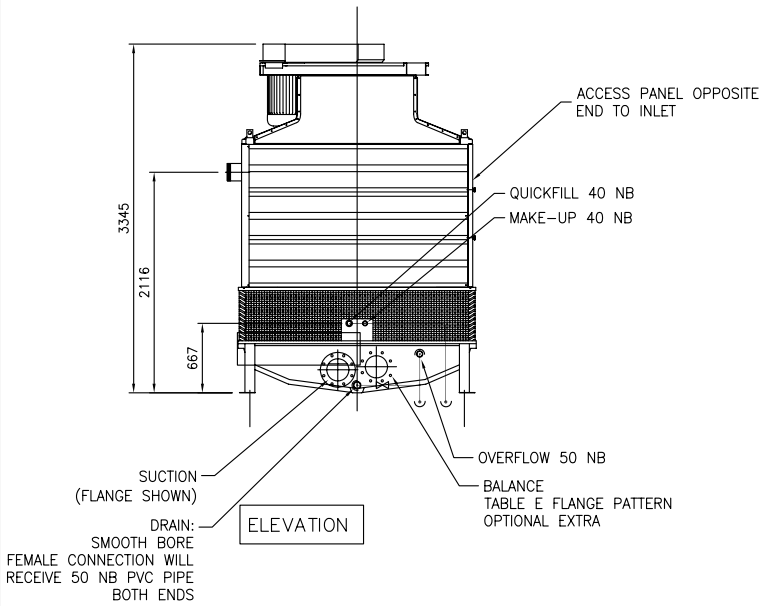
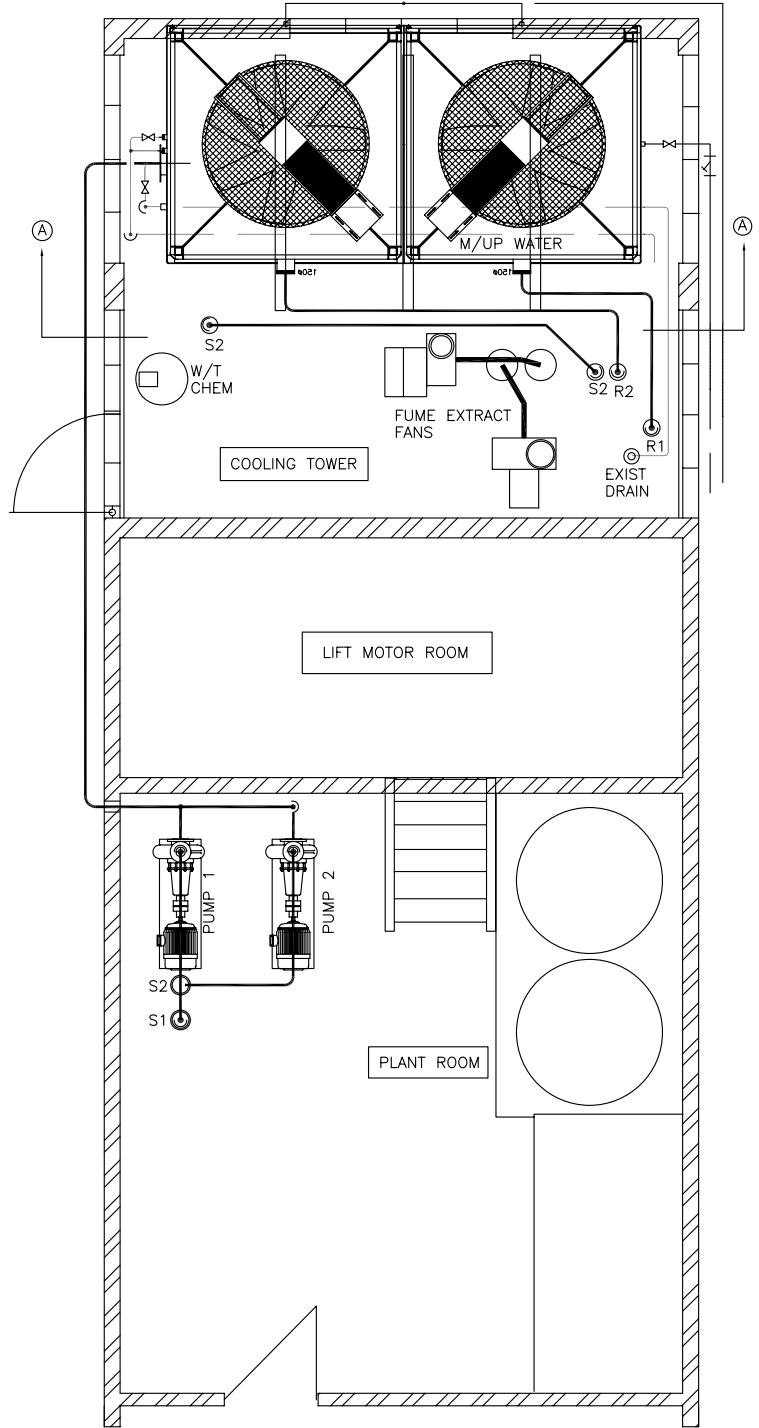
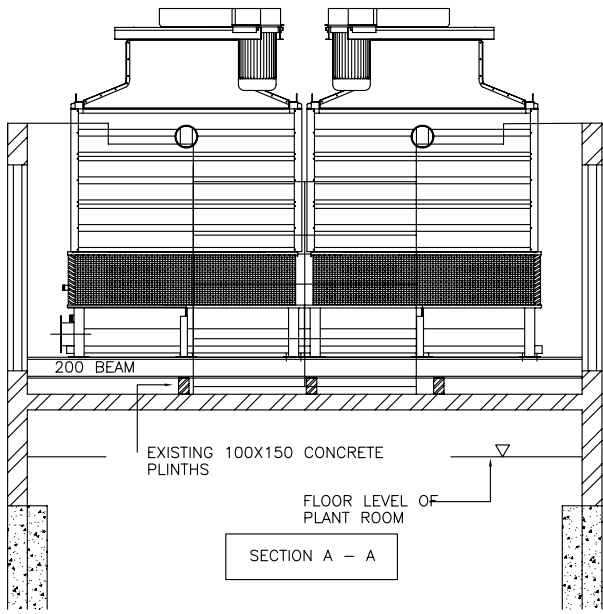


# NEW COOLING TOWER INSTALLATION



TYPICAL COOLING TOWER INSTALLATION FOR A HIGH RISE COMMERCIAL BUILDING WITH WATER COOLED AIR CONDITIONING SYSTEM

FILE : Cooling Tower Layout 01.pdf

Date : 22/07/2012